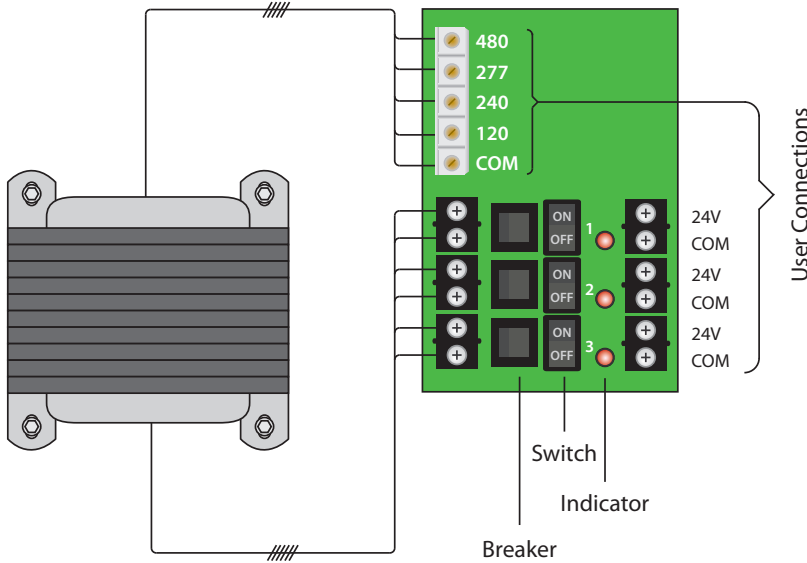


PSH300A-LVC

Enclosed 300VA Power Supply, **High/Low Voltage Separation** with Three 100VA Class 2 Outputs, 480/277/240/120 Vac to 24 Vac



AC Power Supply

PSH300A-LVC
Shown Without
High Voltage Cover &
Low Voltage
Access Plate



PSH300A-LVC
Shown Without
Low Voltage
Access Plate



PSH300A-LVC
Shown With
Full Cover &
Access Plate



Specifications

Transformer: One (1) 300 VA
Over Current Protection: Circuit Breaker
Primary: 480/277/240/120 Vac
Frequency: 50/60 Hz
Dimensions: 12.125" x 12.125" x 6.000"
Approvals: Class 2 (UL Approved UL5085-3),
 UL916, UL508, C-UL, CE, RoHS,
Special Seismic Certification of Equipment and Components: OSP-0201-10 A
Housing: NEMA1 Metal Enclosure
Weight: 20.18 lbs.

3 Secondaries:
 24 Vac, with LED Indicators
 4 Amp breaker for each output

24 Vac ON/OFF:
 On / Off Switch & Breaker

Input:
 480/277/240/120 Vac **Finger-Safe Terminals**,
 8-18 AWG

Output:
 3 Ungrounded, Isolated, 100 VA, Class 2, 24 Vac
 Outputs. Terminals accept 12-26 AWG wire.

Ambient Temperature Derating:
 4A up to 40° C ; 3A up to 50° C ; 2A up to 55° C
 (When All 3 Outputs Operated Simultaneously)

Notes:
 A Design is in accordance with ASCE 7-05 Chapter 13:
www.oshpd.ca.gov/FDD/Pre-Approval/OSP-0201-10.pdf

Standby Wattage:
 16.61 W @ 120 Vac
 17.70 W @ 240 Vac
 16.26 W @ 277 Vac
 19.20 W @ 480 Vac

Full Load Primary Current:
 2.66 A @ 120 Vac
 1.36 A @ 240 Vac
 1.18 A @ 277 Vac
 0.68 A @ 480 Vac

Secondary Output Voltage vs. Load:
 24.5 V @ 1 Amp
 23.5 V @ 2 Amp
 22.8 V @ 3 Amp
 22.3 V @ 4 Amp

- With 120 Vac primary input voltage
- When all 3 outputs operated simultaneously, at room temperature